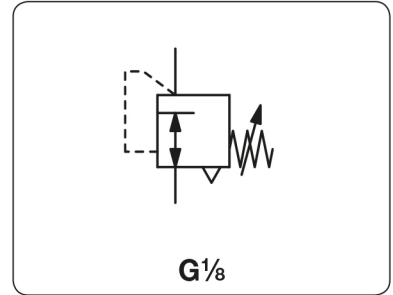


MINIATURE PRECISION PRESSURE REGULATOR \varnothing 30 MM

R307



Description	Precision pressure regulator made of plastic, diaphragm-operated, with tamper-proof knob and without constant bleed. Excellent for portable systems thanks to small size and light weight of only 70 g. The regulator is suitable for oxygen and air.
Media	compressed air or non-corrosive gases
Supply pressure	max. 10 bar
Adjustment	by plastic knob with snap-lock
Relieving function	relieving, optionally non-relieving
Gauge port	G $\frac{1}{8}$ on both sides of the body, one screw plug supplied
Mounting position	any
Temperature range	0 °C to 60 °C / 32 °F to 140 °F
Material	Body: POM Elastomer: NBR/Buna-N Inner valve: brass



G $\frac{1}{8}$

Dimensions			Flow rate	Supply pressure	Connection thread	Pressure range	Order number
A	B	C	l/min*1	max. bar	G	bar	
mm	mm	mm					

Miniature pressure regulator	supply pressure max. 10 bar, relieving, without constant bleed	R307					
30	64	8	360	10	G $\frac{1}{8}$	0.2 ... 2.5	R307-01B
						0.2 ... 3.5	R307-01C
						0.2 ... 8.0	R307-01D

Special options, add the appropriate letter

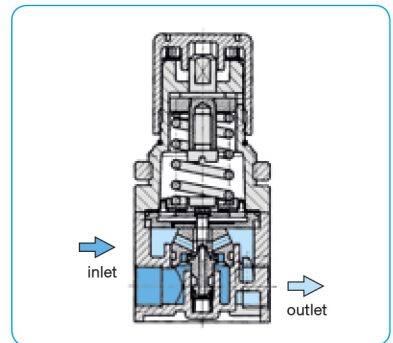
non-relieving	without relieving function	R307-01 . K
for oxygen	specially cleaned, with oxygen grease	R307-01 . K15

Accessories, enclosed

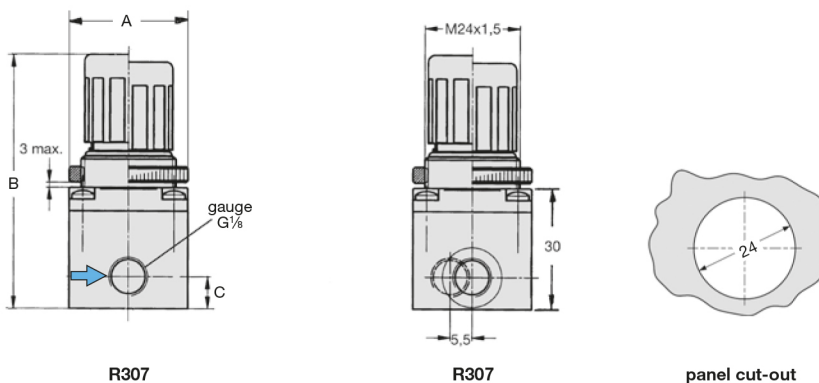
pressure gauge	\varnothing 23 mm, 0...*2 bar, G $\frac{1}{8}$	MA2301-...*2
mounting nut	made of brass	M24x1,5M



R307



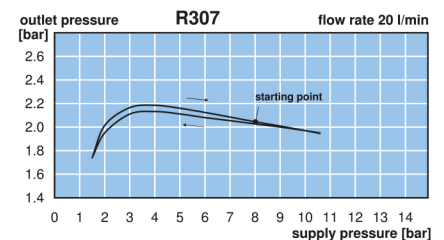
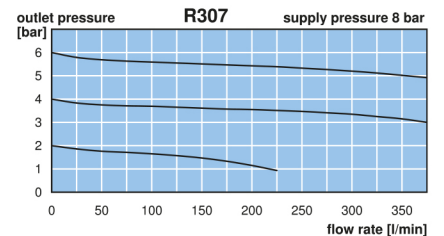
cross-section



R307

R307

panel cut-out



*1 at 8 bar supply pressure, 6 bar outlet pressure and 1 bar pressure drop
*2 04 = 0...4 bar, 10 = 0...10 bar

Gauges: see chapter for measuring devices

PDF CAD
www.aircom.net



Order example:
R307-01B